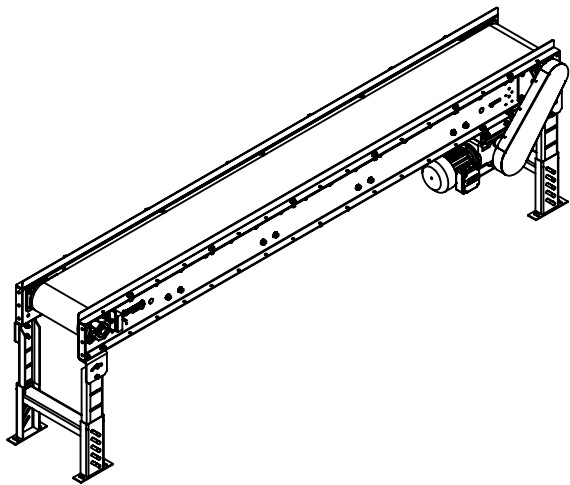
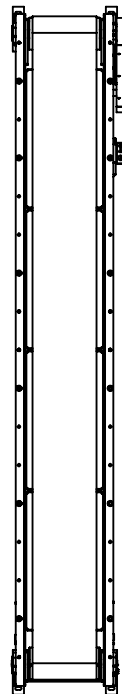


# SLIDER BELT CONVEYOR

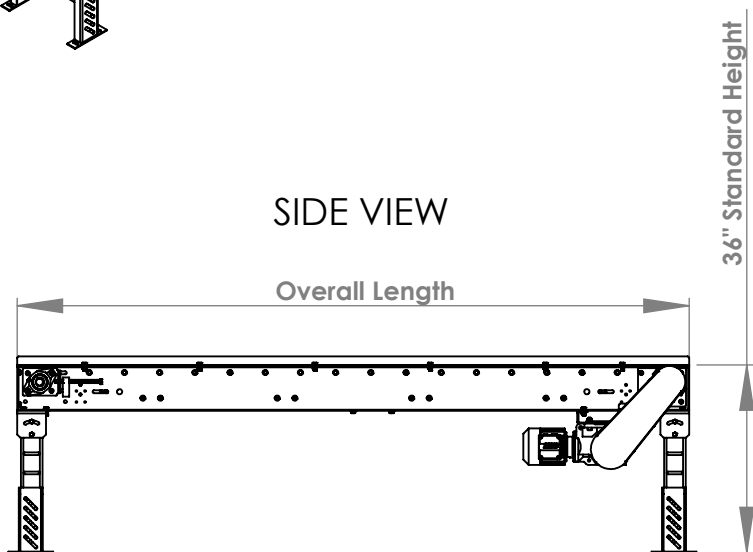
ISOMETRIC VIEW



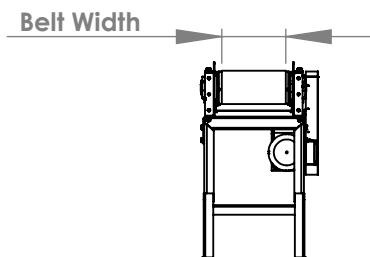
TOP VIEW



SIDE VIEW



FRONT VIEW



## TECHNICAL DATA

Belt Width.	Standard widths are: 12", 18", 24", 30". Also available from 12" to 36" in 1" increments.
Overall Length.	5' to 100' in 1" increments.
Drive Location.	End, right hand side.
Speed Speed.	From 3 to 150 feet per minute.
Conveyor Height.	36" standard height. Also available from 7.5" to 42" top of conveyor.
Guard Rails.	Adjustable rails.