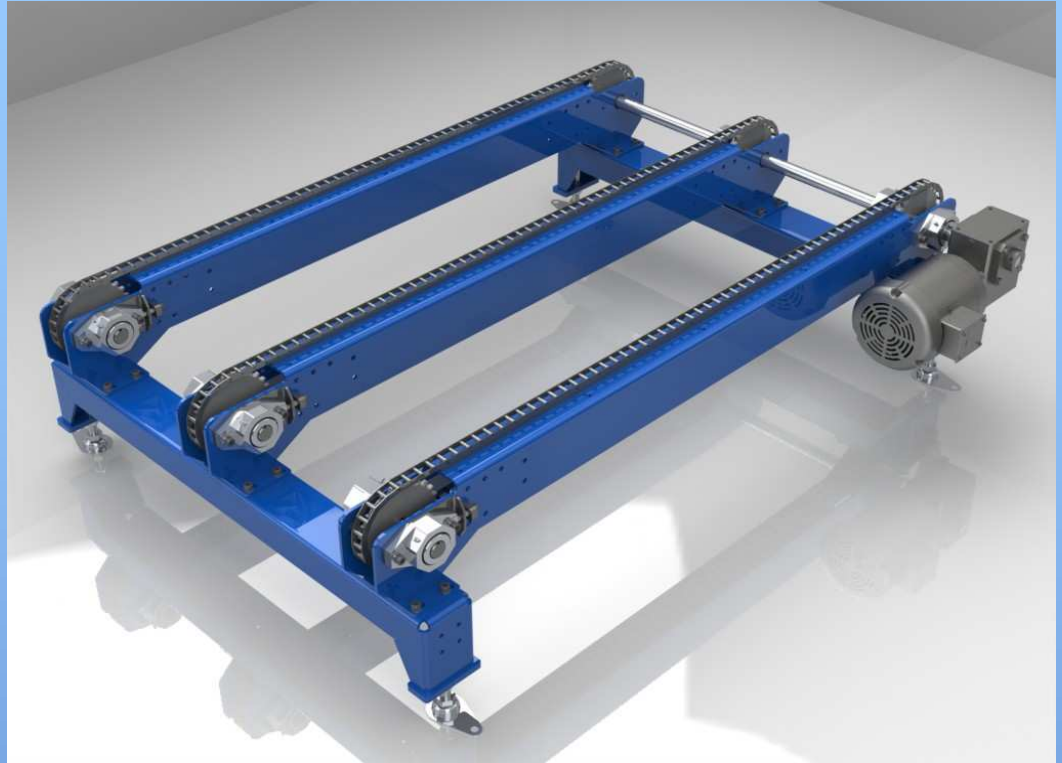




TEC AUTOMATION, INC.



Multi-Strand Chain Conveyor



- $\frac{1}{4}$ " Formed steel channel frame on all models
- 460 VAC power, 3 phase inverter duty motor
- #60 Chain for pallet weights in excess of 4000 lbs
- Heavy welded steel construction, epoxy painted
- 18" Standard height with adjustable feet
- Rigid support system formed and welded
- 44" O.A.W. x 64" O.A.L. Custom options available
- Hollow shaft gear motor (no need for a chain guard)

TEC Automation, Inc. 30 Hickory Springs Industrial Drive

Canton, GA. 30115 (770) 720-3333

www.tec-automation.com